

M12 FEMALE 0° SHIELDED

PUR 4X2X0.25 shielded GRAY, 3m

Female straight

M12, 8-pole

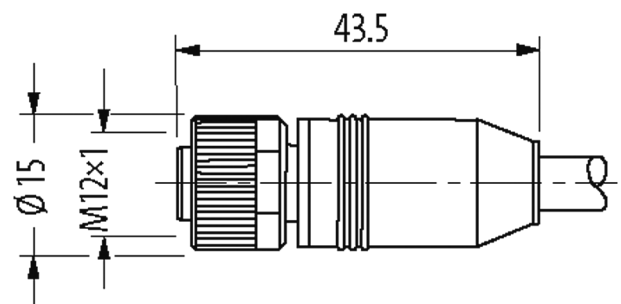
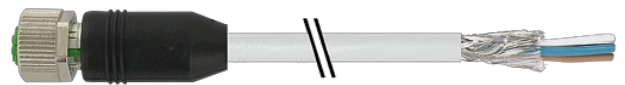
shielded

with cable sleeves

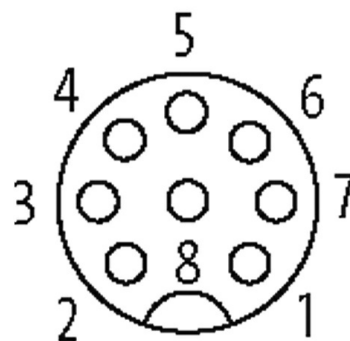
Plastic housings with good resistance against chemicals and oils.

The resistance to aggressive media should be individually tested for your application. Further details on request.

Further cable lengths on request.

Illustration

Female



Product may differ from Image

Approvals

cCSAus

* only for products with UL/CSA approved cable

**Form**

Form

17121

Cables

Cable number

286

| | |
|------------------------------------|---|
| No./diameter of wires | 4 × 2 × 0.25 mm ² |
| Wire isolation | PP (wh, br, gn, ye, gr, pk, bl, rd) |
| Jacket Color | gray |
| Material (jacket) | TPU |
| Outer Ø | 7.1 mm ±5% |
| Bend radius (moving) | 15 × outer Ø |
| Temperature range (fixed) | -40...+90 °C |
| Temperature range (mobile) | -5...+90 °C |
| Cable identification | 286 |
| Approval (cable) | CE conform |
| Cable weight [g/m] | 74,80 |
| Material (wire) | Cu wire, bare |
| Resistor (core) | max. 79 Ω/km (20 °C) |
| Single wire Ø (core) | 0.1 mm |
| Construction (core) | 32 × 0.1 mm (multi-strand wire class 6) |
| Diameter (core) | 4 × 2 × 0.25 mm ² |
| AWG | similar to AWG 24 |
| Material (wire isolation) | PP |
| Material property (wire isolation) | CFC-, halogen-, cadmium-, silicone- and lead-free |
| Shore hardness (wire isolation) | 65 ±5 D |
| Wire-Ø incl. isolation | 1.2 mm ±5% |
| Color/numbering of wires | br, wh, rd, bl, pk, gr, ye, gn |
| Shield | yes |
| Material (jacket) | TPU |
| Shore hardness (jacket) | 85 ±5 A |
| Outer-Ø (jacket) | 7.1 mm ±5% |
| Color (jacket) | gray |
| chemical resistance | good resistance to oil, gasoline and chemicals (EN 60811-404) |
| thermal resistance | flame retardant EN 60332-1 |
| Nominal voltage | 300 V AC |
| Test voltage | 1500 V AC |
| Current load capacity | to DIN VDE 0298-4 |
| Temperature range (fixed) | -40...+90 °C |
| Temperature range (mobile) | -5...+90 °C |
| Bend radius (fixed) | 7.5 × outer Ø |
| Bend radius (moving) | 15 × outer Ø |

Technical Data

| | |
|------------------------------------|--|
| Operating voltage | max. 30 V AC/DC |
| Operating voltage (only UL listed) | max. 30 V AC/DC |
| Rated surge voltage | 0.8 kV |
| Operating current per contact | max. 2 A |
| No. of poles | 8 |
| Material group | IEC 60664-1, category I |
| Coding | A-coded |
| LED display | no |
| Locking of ports | Screw thread (M12×1 mm) recommended torque 0.6 Nm, self-securing |
| Compression gland | M12 (SW13) |
| Protection | IP65, IP66K, IP67 inserted and tightened (EN 60529) |
| Material | PUR |
| Locking material | Zinc die casting, matte nickel plated |

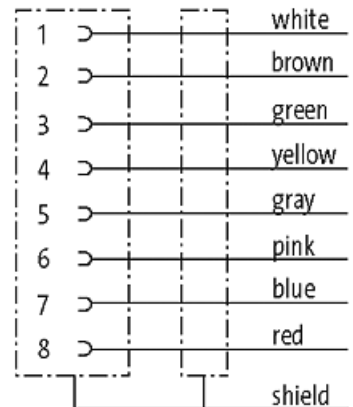
suitable for corrugated tube (internal Ø) 10 mm

General data

| | |
|----------------------------|--|
| Standards | DIN EN 61076-2-101 (M12) |
| Mounting method | inserted, tightened |
| Material (contact) | Copper alloy |
| Material (contact surface) | Au |
| Material (gasket) | FKM |
| Pollution Degree | 3 |
| Stripping length (jacket) | 60 mm |
| Temperature range | -25...+85 °C, depending on cable quality |

Commercial data

| | |
|-----------------------|---------------|
| country of origin | CZ |
| customs tariff number | 85444290 |
| EAN | 4048879195850 |
| eClass | 27279218 |
| Packaging unit | 1 |

Sketch

Product may differ from Image